

DISPLAY INDUCTIVE TRANSDUCER CONDITIONER : SX 6510 SERIES



LVDT / RVDT, 1/2 bridge transducer conditioner

Selection of the transducer type

Indication in engineering unit

Signal linearisation

Three level filter Key TARE

Control function by the front panel key and logic input

Communication, control option.



GENERAL DESCRIPTION

6510 series conditioner display characteristics:

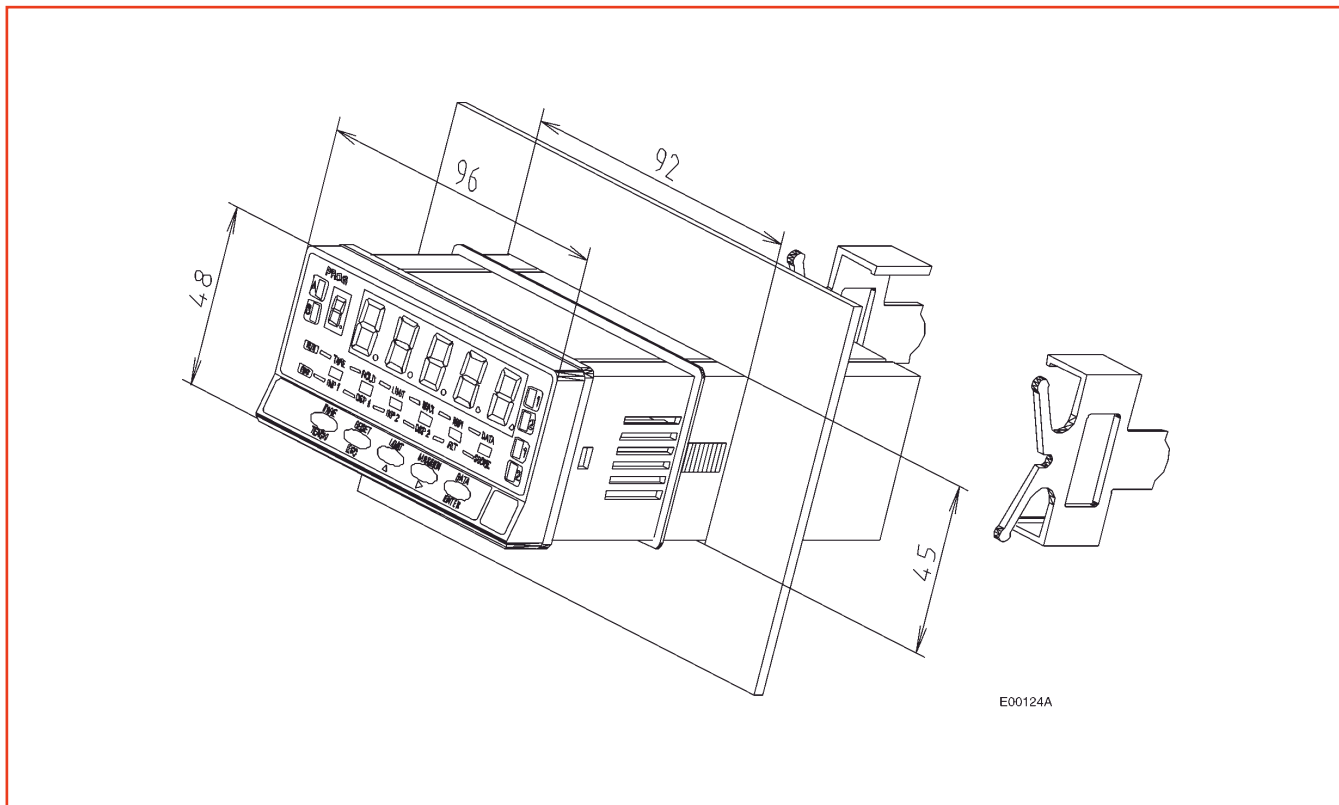
- LVDT / RVDT and 1/2 bridge transducer,
- programmable scaling in engineering unit between -32000 to +32000,
- linearizing function with maximum of 12 points,
- several levels of filter: balanced, damping and round filter,
- option card control:
 - analogue 4-20 mA or 0/10 VDC
 - two thresholds by two relays
 - four thresholds by four relays
- option card communication:
 - serial RS 232
 - serial RS 485
- control functions TARE, RESET, LIMIT, MAX/MIN by a key on the front panel. Other functions can be validated by logic input,
- format 1/8 DIN case,
- plug/unplug terminals,
- programming lock out to prevent unauthorized or accidental modifications of the setup parameters,
- oscillator synchronisation

GENERAL SPECIFICATIONS (AT 25°C)

Protection	IP 65
Operating temperature	- 10 to + 60 °C
Storage temperature	- 25 to + 85 °C
Decimal point	programmable
Resolution	16 bits & 12 bits on signal re-copy (0,025%)
Size	96 x 48 x 120 mm
Weight	600 g
Consumption	5 W without option (10 W maxi with options)
Linearization	12 points
Transducer supply	1 or 2.2 Vrms
Frequency	3.5 or 5 KHz
Display	± 32000 points
Response time signal re-copy	60 ms

INTERFACE DRAWING

Panel cutout : 92 x 45 mm



SELECTION GUIDE

References	Description	Options	Cumul options
6510 Sxi	LVDT and 1/2 bridge transducer conditioner Supply 230 VAC 50/60 Hz	2 level relay 4 level relay Analogique output RS 232 output RS 485 output	{ Only one Yes { Only one
6511	LVDT and 1/2 bridge transducer conditioner Supply 24 VDC isolated	2 level relay 4 level relay Analogique output RS 232 output RS 485 output	{ Only one Yes { Only one