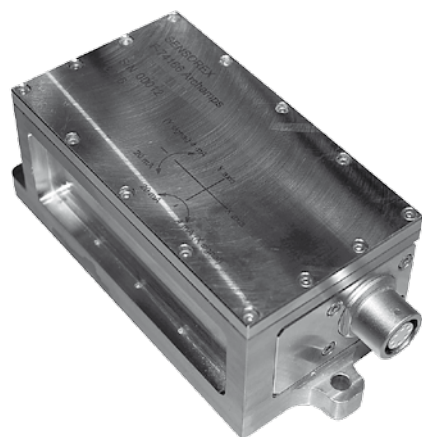


2 AXES SERVO-INCLINOMETER SUBMERSIBLE – ATEX - MODEL SX 41600



CHARACTERISTICS

This submersible inclinometer is based on the Sensorex inclinometer model SX 41200, and it has the same performance.

Standard ranges	$\pm 1^\circ$ (0.05 g), 0.5 ms^{-2}
	$\pm 3^\circ$ (0.05 g), 0.5 ms^{-2}
	$\pm 5.75^\circ$ (0.10 g), 1 ms^{-2}
	$\pm 14.50^\circ$ (0.25 g), 2.5 ms^{-2}
	$\pm 30.00^\circ$ (0.50 g), 5.0 ms^{-2}
	$\pm 45.00^\circ$ (0.70 g), 7.0 ms^{-2}
	$\pm 90.00^\circ$ (1.00 g), 10 ms^{-2}

- High performance
- ATEX certified
- Excellent temperature stability
- Very good resistance against shock and vibration
- Robust housing in 904L stainless steel, submersible
- Submersible connector and male connector with 2 m cable.
- Conforms to CEM norm.

APPLICATIONS

- LNG ship pitch and roll measurement
- Offshore platform stabilisation
- Gas turbine positioning

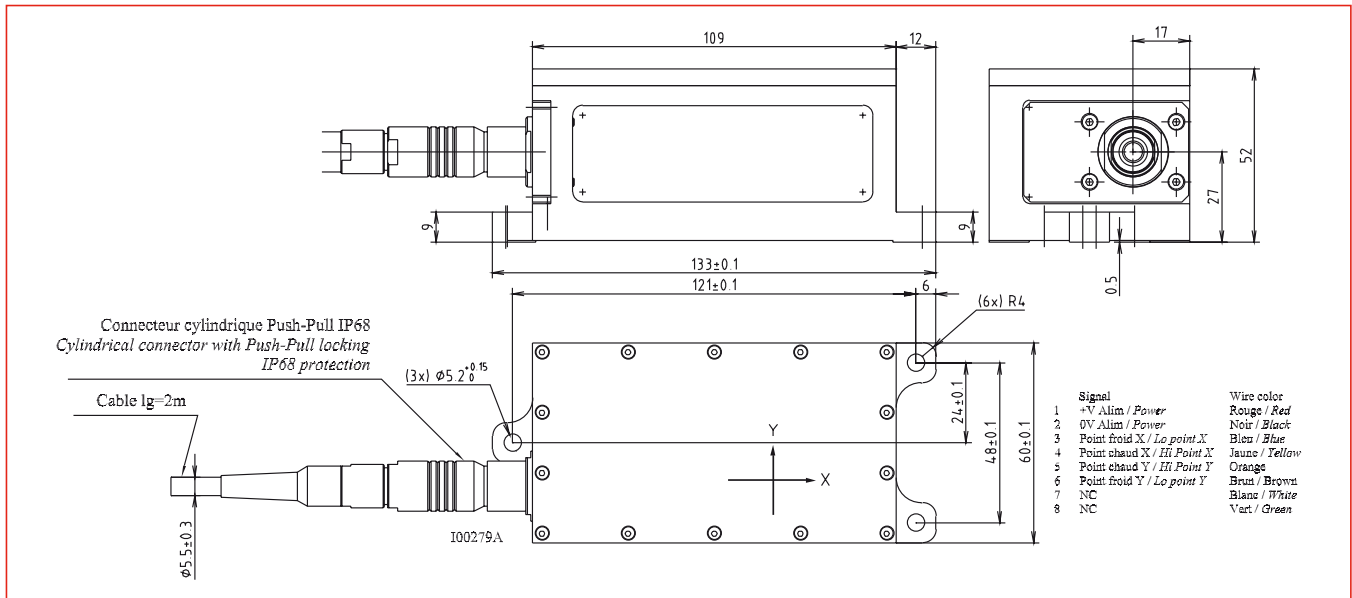
GENERAL SPECIFICATIONS (AT 25°C)

Characteristics	
Supply Voltage	$24 \pm 4 \text{ V}$, 50 mA max(not including output current)
Signal output	4 to 20 mA
Linearity error (least squares method)	$\pm 0.05 \%$ of FS
Residual voltage at zero	$\leq 0.15 \%$ of FS
Output Impedance	$< 240 \text{ Ohm}$
Bandwidth (at - 3dB)	from 3 to 15 Hz depending on range
Cross-axis sensitivity	$\leq 0.005 \text{ g/g}$
Housing/axis miss-alignment	$\pm 0.5^\circ$
Zero drift	$\leq 0.01\%$ of FS / °C
Scale factor drift	$\leq 0.01 \%$ of signal / °C
Environment	
Working temperature	- 40 °C to + 85 °C
Storage temperature	- 55 °C to + 85 °C
Sine vibration	5 g effective from 10 to 500 Hz
Shock	200 g, 6 ms
Protection	IP 67
Environmental norm	EN 61326

OPTIONS

- Specific bandwidth
- Zero offset (unipolar output)
- Specific range and output (0.1 to 1 G)

INTERFACE DRAWING



SPECIFIC PARAMETERS OF USE



This is an Atex certified product

Environment

This unit can be used

- in surface industries
- in a permanent explosive atmosphere either gas or dust (zone 0)
- in the presence of the gas types listed in subdivisions IIA, IIB and IIC

Electrical

Supply voltage 24 ± 4 V, with a maximum load of 350 ohm on the output current.

Temperature

The working temperature is -40°C to $+85^{\circ}\text{C}$

The storage temperature is -55°C to $+85^{\circ}\text{C}$

The temperature classification of the product is : T4 or T135 °C for Ta less than 85 °C

Protection

This unit has a protection index IP 67

Parameters specific to the protection mode

	Ci	Li
Unit alone	0	0
Unit with 2 m cable	≤ 200 pF	≤ 4 μH